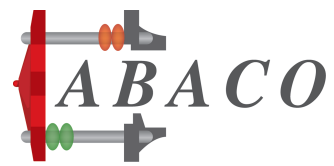


ABC-04M Rotary Damper Actuator

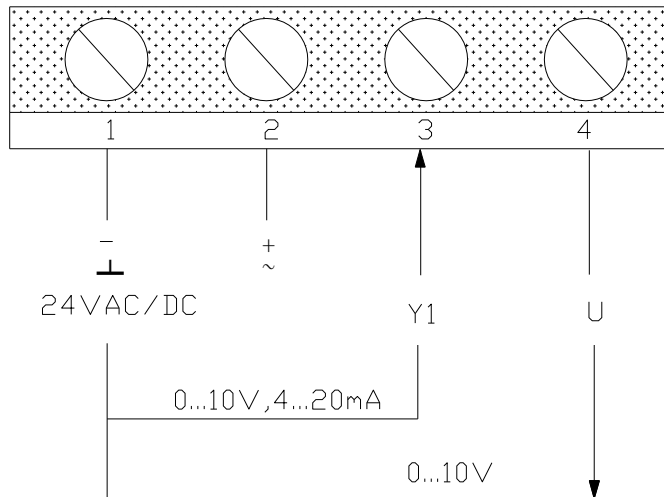


Summary:

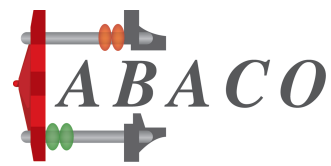
This compact, non-spring return actuator has a 4Nm running torque in a compact easy-to-install package. It has a nominal 35-second travel time for 90° of rotation.



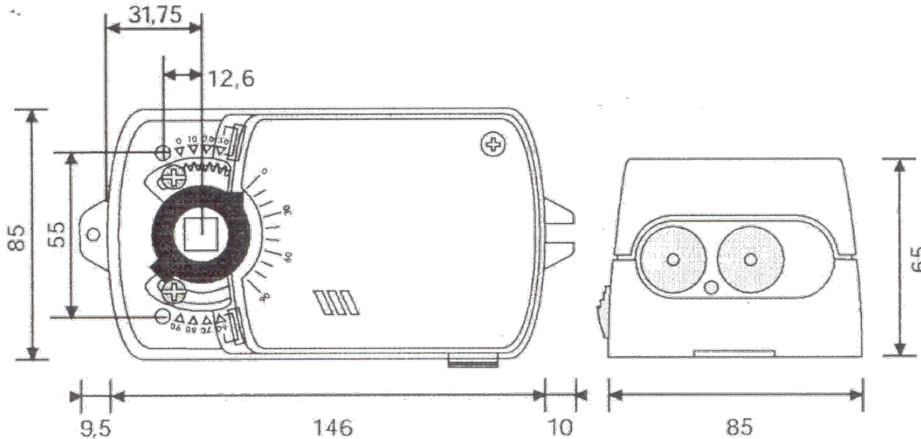
Wiring Diagram:



ABC-04M Rotary Damper Actuator



Assembling and Technical Specification:



Item	Unit	ABC-04M
Torque	Nm	4Nm
Damper area	m ²	1m ²
Running Time	sec	35s
Power supply	V	24VAC/DC,4~20mA
Frequency	Hz	50/60Hz
Working Power	W	2.5W
Non-Working Power	W	0.85W
Wiring size	VA	4.1VA
Shipping weight	Kg	0.9Kg
Control signal		0~10 VDC
Rotation angle		0~90°
Limit angle		5~85°(5°increment)
Life cycle		60,000 cycles
Noise level		45dB(A)
Protection class		II
IP protection		IP44or IP54
Ambient temperature		-20~+50°C
Ambient humidity		5~95%RH
Storage		-40~+70°C
Certificate		CE and ISO9000

Notice: Drawing out the actuator wiring through the PG joint, the protection level can reach to IP54.