

# FLANGED GLOBE VALVE



## Summary:

The globe valves in cast-iron series VF are used in heating, refrigeration and air-conditioning systems for the flow control of heated or chilled water for domestic and industrial applications. The valves are motorized by the electric actuators series ABC-AVF at 1200 N up to DN80 and 1800N from DN100 up to DN200.



## Features and Characteristics:

### Technical specifications

Fluids type: Hot and cold water (with glycol max. 50%)

Fluid temperature: -10...120°C

Nominal pressure: 1600 kPa max (16 bar)

Control flow characteristics: Equal-percentage on direct way, Linear on angle way

Range ability: 50:1

Leakage: < 0,1% of KVs

Connections: Flange

Stroke: See schedule

Installation position: Horizontal or vertical

Maintenance: Free

Body: Cast-iron G25

Plug: Brass

Valve stem: Stainless steel 302

Stem packing: PTFE

Dimensions and weight: See schedule

# FLANGED GLOBE VALVE

## Assembling and Technical Specification:

| Models |        | DN  | KVs | Max differential pressure (bar) | Stroke | Actuator     |
|--------|--------|-----|-----|---------------------------------|--------|--------------|
| 2 ways | 3 ways |     |     |                                 |        |              |
| VF250  | VF350  | 50  | 50  | 2,5 (6)                         | 20     | ABC-AVF12(M) |
| VF265  | VF365  | 65  | 75  | 2,5 (6)                         | 20     | ABC-AVF12(M) |
| VF280  | VF380  | 80  | 100 | 2,5 (6)                         | 20     | ABC-AVF12(M) |
| VF2100 | VF3100 | 100 | 125 | 2,5 (6)                         | 38     | ABC-AVF18(M) |
| VF2125 | VF3125 | 125 | 200 | 2,5 (5)                         | 38     | ABC-AVF18(M) |
| VF2150 | VF3150 | 150 | 285 | 2,5 (5)                         | 38     | ABC-AVF18(M) |
| VF2200 | VF3200 | 200 | 400 | 2 (4)                           | 38     | ABC-AVF18(M) |

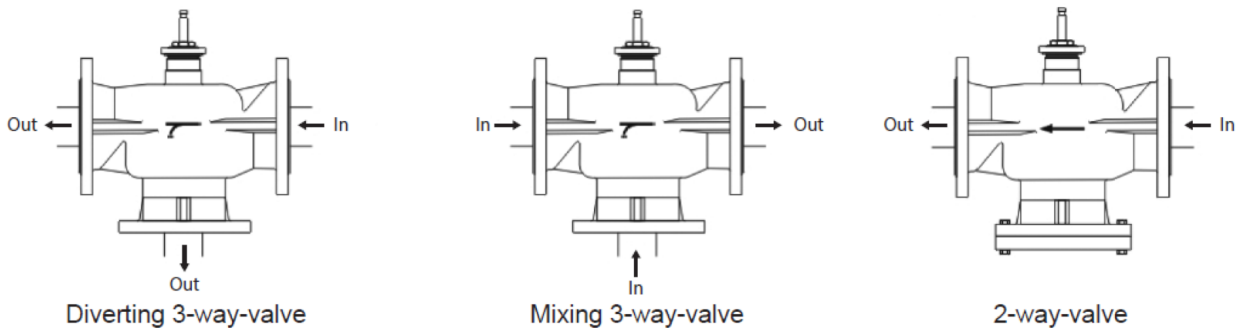
(\*) The values in the brackets are the max. differential pressure when valve is fully closed and actuator is still able to open or close the valve with security. In order to avoid wear between plug and seat, we recommend not to overcome the nominal values.

### Caution

Before valves are mounted, make sure that pipes are clean, free from welding slags, that are perfectly lined up with valve body and not subjected to vibrations. The valve can be mounted in any position except upside-down. While assembling, respect the flow directions indicated by the arrows located on the valve body.

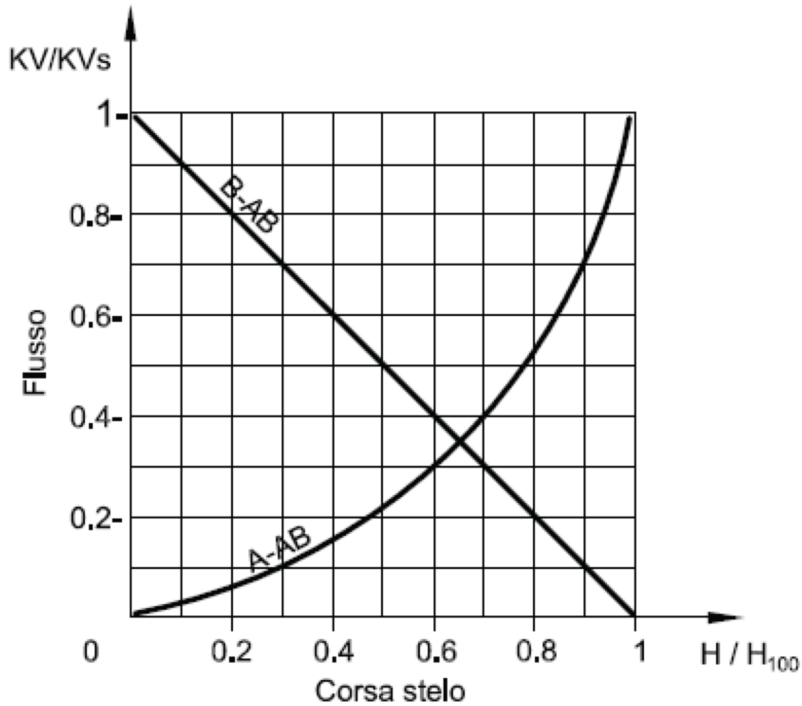
When stem is up, the direct way is closed, with stem down direct way is open.

Installation



# FLANGED GLOBE VALVE

## Control flow characteristics



A-AB equal-percentage way

B-AB bypass linear way

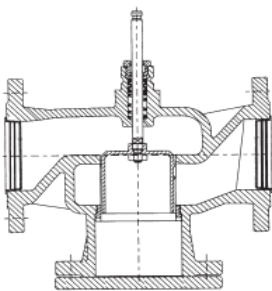
3-way used as mixing inlet in A and B, outlet AB

3-way used as diverting inlet in AB, outlet from A and B

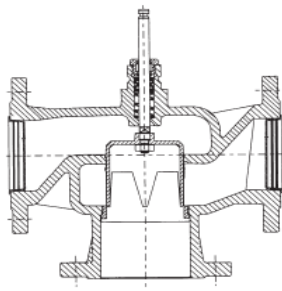
AB way constant flow

A way variable flow

B (bypass) way variable flow

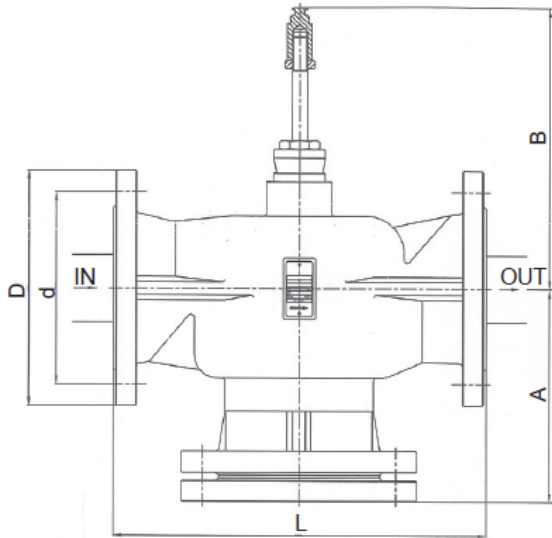
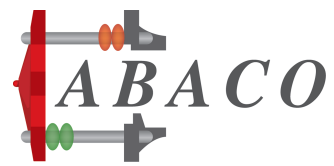


2 ways



3 ways

# FLANGED GLOBE VALVE



| Models        | Thread | Dimensions (mm) |     |     |     |     | Weight |
|---------------|--------|-----------------|-----|-----|-----|-----|--------|
|               | DN     | D               | d   | L   | A   | B   | kg     |
| <b>VF250</b>  | 50     | 165             | 125 | 230 | 133 | 166 | 14     |
| <b>VF350</b>  | 50     | 165             | 125 | 230 |     | 166 | 11,8   |
| <b>VF265</b>  | 65     | 185             | 145 | 290 | 164 | 178 | 19,7   |
| <b>VF365</b>  | 65     | 185             | 145 | 290 |     | 178 | 16,4   |
| <b>VF280</b>  | 80     | 200             | 160 | 310 | 177 | 182 | 23,2   |
| <b>VF380</b>  | 80     | 200             | 160 | 310 |     | 182 | 20,4   |
| <b>VF2100</b> | 100    | 220             | 180 | 350 | 200 | 264 | 39,5   |
| <b>VF3100</b> | 100    | 220             | 180 | 350 |     | 264 | 33,7   |
| <b>VF2125</b> | 125    | 250             | 210 | 400 | 228 | 275 | 54,5   |
| <b>VF3125</b> | 125    | 250             | 210 | 400 |     | 275 | 46     |
| <b>VF2150</b> | 150    | 285             | 240 | 480 | 268 | 290 | 76,3   |
| <b>VF3150</b> | 150    | 285             | 240 | 480 |     | 290 | 65     |
| <b>VF2200</b> | 200    | 340             | 290 | 600 | 330 | 315 | 135    |
| <b>VF3200</b> | 200    | 340             | 290 | 600 |     | 315 | 120    |