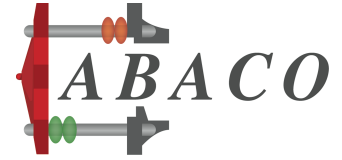


BST Ball Valve Series



Summary:

Ball valves are durable, performing well after many cycles, and reliable, closing securely even after long periods of disuse. These qualities make them an excellent choice for shutoff and control applications, where they are often preferred to gate and globe valve.



Features and Characteristics:

Material

Body: Brass

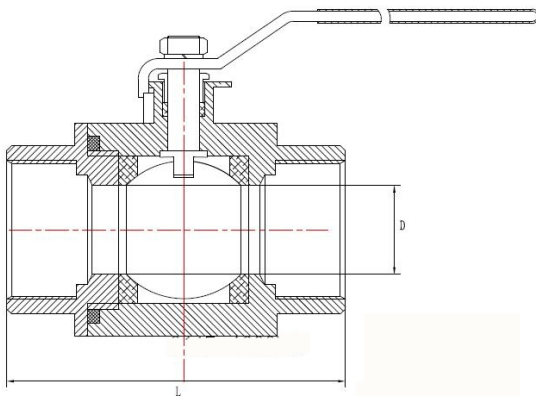
Handle: Copper

Nominal pressure: PN 1.6MPa

Thread: G thread. Optional in NPT.

Applicable medium: water, steam, non-corrosive, combustible gas.

Applicable temperature: -20°C~120°C



Part Number	DN	L	D
BST-DN14	8	52	8
BST-DN15	15	52	15
BST-DN20	20	55.5	20
BST-DN25	25	65.5	25
BST-DN32	32	78	32
BST-DN40	40	88	38
BST-DN50	50	104	50
BST-DN65	65	108	64
BST-DN80	80	126	78
BST-DN100	100	143	100