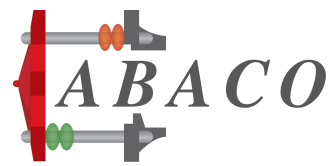


LK01B Liquid Flow Switch



Summary:

LK01B Liquid Flow Switch is used in the circumstance where chain effect or cut-off protection is needed. It is to supervise the liquid flow rate through the pipes. When liquid inside the pipe circulates or cuts off, flow switch will correspondingly alters the ON/OFF state so as to control and protect external devices. Liquid Flow Switch is suitable for any liquid medium that makes no corruption on brass and tin-bronze and takes no effect on air-proof performance.



Features and Characteristics:

- Application for pipes from 3/4" to 8"
- Applicable to cool/heat water system
- R1 or R3/4 external screw joint; Easy mounting (NPT, BSP)
- Dependable and durable parts such as forged brass, tin bronze, stainless-steel and high-strength flameproof engineering plastic
- Complete airproof design

Technical Data:

- Rated voltage, rated current: 250VAC, 15(6)A
- Working pressure: 1.0 MPa
- Max. testing pressure: 1.5 MPa
- Max. fluid temperature: 110°C
- Storage temperature: -20~80°C
- Weight: 0.8Kg
- Protection class of casing: IP54

Material:

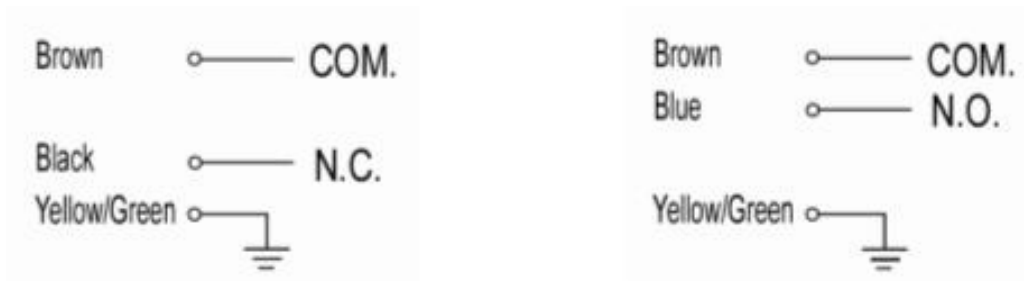
- Casing and cover: Plastic coated steel
- Bellow: Tin-bronze Blade: Stainless steel
- Joint: Forged brass, R1 or R3/4 external screw
- Wiring: 4×1.5mm² cable gland (Length by order)

LK01B Liquid Flow Switch

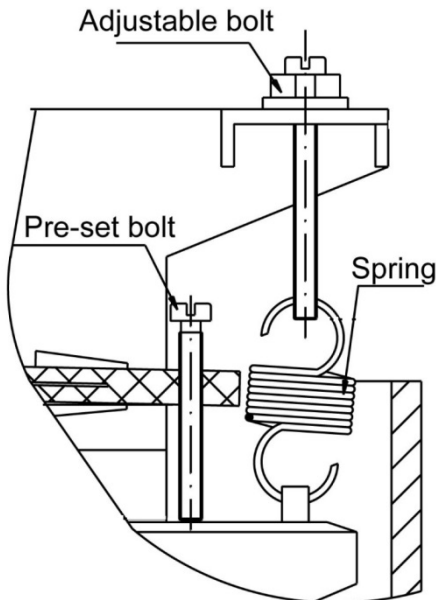
Wiring Diagram:

1-2 contact is normally close (When flow switch is working, the contacts disconnect.)

1-3 contact is normally open (When flow switch is working, the contacts connect.)



Manual Operation Instruction:



- Mount on return pipes
- Mount on horizontal pipes
- Keep a certain distance from sources of turbulences (Elbows, valves, pumps, etc) so as to ensure steady working flow. Recommended minimum distance is equal to 5 times of the pipe's diameter

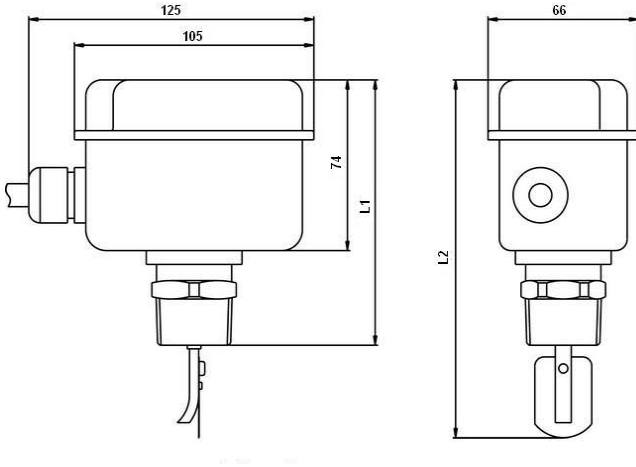
Adjustment of Flow Rate Setting:

Setting of LK01B is by means of relative screw. Fully tighten the screw to obtain minimum flow rate setting, fully loosen the screw to have maximum flow rate setting. The following table gives the values for limiting flow rate settings in relation to the pipe diameter and blade length. The LK01B is supplied ex-factory with the setting screw fully tightened (minimum setting).

The pre-set bolt has been adjusted before ex-factory. Users cannot adjust by themselves. The adjustable bolt can be adjusted and set according to special requirements. (see figure on the left)

LK01B Liquid Flow Switch

Assembling and Technical Specification:



PIPE DIA.	3/4"	1"	1 1/4"	1 1/2"	2"	2 1/2"	3"	4"	5"	6"	8"
L1	102	115	115	115	115	115	115	115	115	115	115
L2	134	155	155	178	178	209	209	209	288	288	288

Model	Diameter	Connection Thread	Blade Length	Flow Rate with Minimum Setting		Flow Rate with Maximum Setting	
				Switch Action	Switch Return	Switch Action	Switch Return
	(inch)		(mm)	(m ³ /h)		(m ³ /h)	
LK01B-20	3/4"	R3/4	29	1	0.3	2	1.5
	1"		34	1.1	0.5	2	1.6
	1 1/4"		34	1.2	0.7	2.6	2
	1 1/2"		57	1.6	1	3.3	2.6
	2"		57	3.2	2.2	6.6	6.1
LK01B	2 1/2"	R1	88	4.2	3.2	8	7
	3"		88	6.3	4.7	12	11
	4"		88	8.5	6	18	17
	5"		167	13.1	9	27	25
	6"		167	17.2	12	33	31
	8"		167	47	39	94	91