

LN32~ & LN11~

BACnet DDC & Room Thermostat



LN32~ BACnet DDC

LN11~ Room Unit

LN32~ BACnet DDC

Com.	BACnet
Voltage	24 VAC +/- 20% 50~60Hz
Rating	1 A
Prog	Non-Programmable
System	Heat / Cool / Auto
Fan	High / Med / Low / Auto

LN11~ Room Unit

Voltage	24 VAC, 50/60 Hz
Rating	1 A
Prog	Non-Programmable
System	Heat / Cool / Auto
Fan	High / Med / Low / Auto

OVERVIEW

- 1 DDC controller & 1 room unit wired as a set
- BACnet communication

FEATURES: BACNET DDC

- All parameters can be monitored and adjusted through BACnet
- 0 - 10VAC analog output for cooling
- Binary output (24 VAC) for 2 stage heat
- Auto / High / Med / Low fan speed control mode
- Binary output (24 VAC) for fan
- Input for occupancy sensor (dry contact) to run at economy mode
- BACnet Standardized Device Profile (Annex L): BACnet Application Specific Controller (B-ASC)
- Supported BACnet Services:
 - Data Sharing

Read Property –B	DS-RP-B
Read Property Multiple –B	DS-RP-B
Write Property –B	DS-WP-B
 - Device Management

Device Communication Control –B	DM-DCC-B
Dynamic Device Binding –B	DM-DDB-B
Dynamic Object Binding –B	DM-DOB-B

FEATURES: ROOM UNIT

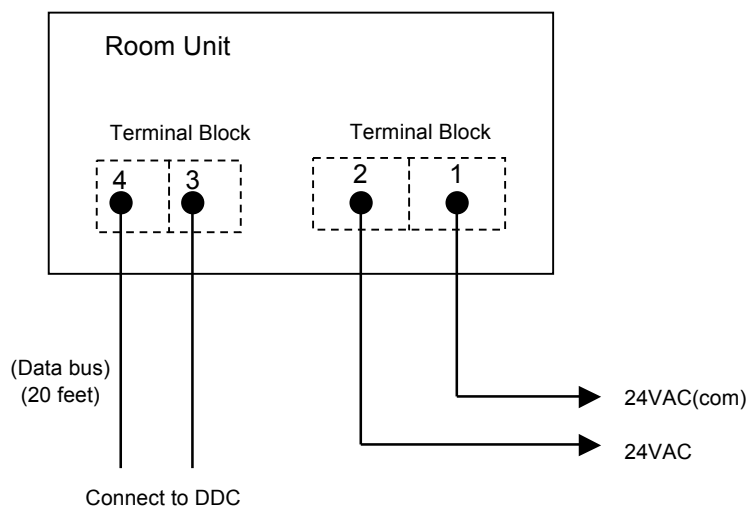
- Room unit displays the ambient temperature & adjust the setpoint
- Room unit with LCD display & backlight

ELECTRICAL INTERFACE: LN32~

Name	BACnet Name	Type	Instance Num	R/W	Priority	Remarks
Device	Device ID		0 ~ 3FFFF	R	No	Default = 5, dlmstp = 1
BMS Request Standby	Standby/Normal	BV	0	R/W	Yes	0: Normal/ 1: Standby
Heat 1	Heat 1	BV	1	R	Yes	0: Off / 1: On
Heat 2	Heat 2	BV	2	R	Yes	0: Off / 1: On
System Status	Auto Standby	BV	3	R	Yes	0: Auto / 1: Standby
Override	Room Override	BV	4	R	Yes	0: Normal / 1: Override
System On/Off	System On/Off	BV	5	R/W	Yes	0: Off / 1: On
Temperature	Temp	AI	0	R	Yes	5 - 40 °C, step 0.1 °C
Digital Input	Digital Input	BI	0	R	Yes	0: Comfort / 1: Economy
System Mode	Sys Mode	AV	0	R/W	Yes	0: Heat / 1: Cool / 2: Auto
Fan Mode	Fan Control	AV	1	R/W	Yes	0: Low / 1: Mid / 2: High / 3: Auto
Auto Setpoint	Auto Setpt	AV	2	R/W	Yes	10 - 35.0 °C, step 0.5 °C
Heat Setpoint	Heat Setpt	AV	3	R/W	Yes	10 - 35.0 °C, step 0.5 °C
Cool Setpoint	Cool Setpt	AV	4	R/W	Yes	10 - 35.0 °C, step 0.5 °C
Cool Output	Cool Output	AV	5	R	Yes	0~100%
Fan Output	Fan Output	AV	6	R	Yes	0: Low / 1: Mid / 2: High

ELECTRICAL INTERFACE: LN11~

Terminals	Symbol	Terminals	Symbol
24Vac	2	Data1	4
24Vac common	1	Data2	3





TECHNICAL SPECIFICATION

Operating supply voltage

Room thermostat: 24 VAC, 50/60 Hz

Power output

BACnet DDC: 24 VAC +/- 20% 50~60Hz

Operating temperature

Room thermostat: 24 VAC, 1A Max.

Controlling temperature

BACnet DDC: 24 VAC, 1A Max.

Accuracy

Room thermostat: 0 - 50°C

BACnet DDC: 0 - 50°C

10 - 35°C , 0.5°C resolution

0.5°C

MECHANICAL SPECIFICATION

Mechanical dimension

LN11~: 115(L) x 85(W) x 24(H) mm

BACnet DDC: 130(L) x 106(W) x 60(H) mm

Mounting holes

Room thermostat: Provided at the back of the cabinet

BACnet DDC: Top 2 corners if necessary

Mounting

Room thermostat: Surface on wall

BACnet DDC: Surface on wall / DIN rail mount

Wiring

Room thermostat & BACnet DDC: Screw-fixed