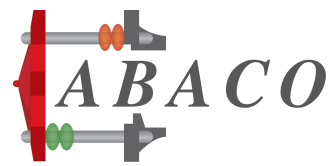


# SRT04E Electronic Thermostat



## Summary:

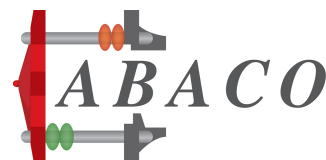
SRT04E series electronic thermostats are mainly used in central air-conditioning heating and cooling system. It provides temperature control for central air-conditioning fan coil cooling/heating zone valve or other electric actuator by the control signal which is produced by comparison of actual tested ambient temperature and setting temperature.



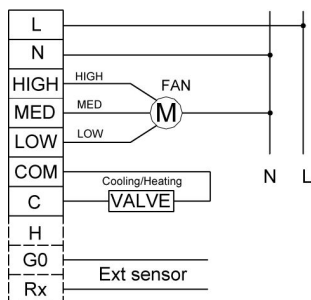
## Features and Characteristics:

- With system switch and fan speed switch
- Smart and simple design
- Connected with internal or external sensor
- Spare parts with high quality. It can control the temperature accurately and with high sensitivity and reliability
- Convenient installation: Wall-mounted, embedded, embedded-plate or concealed mounted

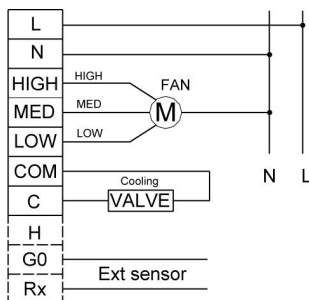
# SRT04E Electronic Thermostat



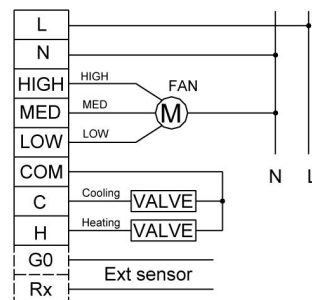
## Assembling and Technical Specification:



SRT04EA



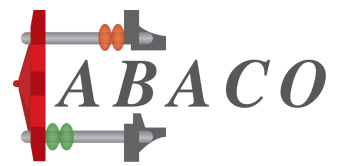
SRT04EB



SRT04EC

Name	SRT04EA	SRT04EB	SRT04EC
Type	2-pipe, heat-off-cool	2-pipe, off-cool	4-pipe, heat-off-cool
Power Supply	220V AC $\pm$ 10%, 50/60 Hz		
Output	220V AC $\pm$ 10%, 50/60 Hz		1A (relay output)
Power Consumption	6VA		
Control Range	10~30°C		
Control Precision	$\pm$ 0.8°C		
Sensitive Element	NTC thermistor (10K)		
Rated Load of Fan Switch	6 (2) A 250V AC		
Wiring Connection	Wiring terminal connection, wiring 0.5~1.5mm <sup>2</sup>		
Housing	Fire-proof ABS engineering plastic, compliance with UL94V-0 standard		
Storage Temperature	-10 ~ 60°C		
Ambient Humidity	Max. 90% RH no condensation		

# SRT04E Electronic Thermostat



## Manual Operation Instruction:

